

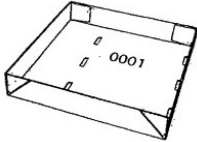
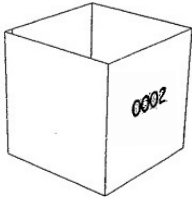
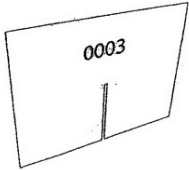
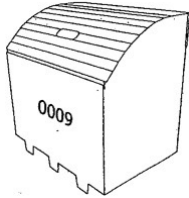
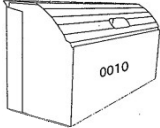
Congratulations on purchasing Dandy Pack goods! You've made a wise investment. Our products will save you money and time, while helping you gain an edge in the extremely competitive real estate market.

**\*Warning\*** - Dandy Pack goods are not intended for use as actual furniture. They are for decorative purposes only. It is important that you take appropriate steps to insure that there are adequate warnings on the product that state the product is for decorative purposes only and is not intended to be used as actual furniture. You must place the warning tent cards that accompany this product on or near the product so that the general public is made aware that the product is for decorative purposes only and is not intended to be used as actual furniture. Further, you must display the caution sign that accompanies this product in a prominent place within the property.

**Product Assembly Instructions**

These easy to follow instructions will demonstrate the assembly steps for the Dandy Pack **Sofa, Loveseat, Oversized Chair, and Ottoman.**

**Parts List**

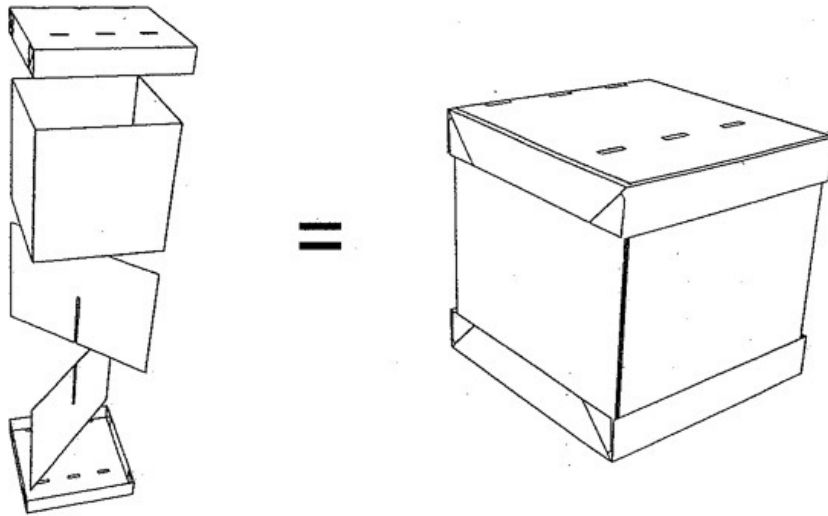
<p><b>Part #0001</b> Top/Bottom Cover</p>  <p>Sofa x 16            Loveseat x 12            Oversized Chair x 8            Ottoman x 4</p>	<p><b>Part #0002</b> 18" Tube</p>  <p>Sofa x 8            Loveseat x 6            Oversized Chair x 4            Ottoman x 2</p>	<p><b>Part #0003</b> 18" Support</p>  <p>Sofa x 16            Loveseat x 12            Oversized Chair x 8            Ottoman x 4</p>
<p><b>Part #0009</b> Sofa/Chair Back</p>  <p>Sofa x 4            Loveseat x 3            Oversized Chair x 2            Ottoman x 0</p>	<p><b>Part #0010</b> Arm Rest</p>  <p>Sofa x 2            Loveseat x 2            Oversized Chair x 2            Ottoman x 0</p>	<p><b>Part #0027</b> Sofa Slipcover</p> <p>Sofa x 1</p> <hr/> <p><b>Part #0028</b> Loveseat Slipcover</p> <p>Loveseat x 1</p>
<p><b>Part #0029</b> Oversized Chair Slipcover</p> <p>Oversized Chair x 1</p>	<p><b>Part #0030</b> Ottoman Slipcover</p> <p>Ottoman x 1</p>	

**\*HINT\***- When assembling your Dandy Pack goods for the first time, be careful to bend the corrugated parts only on the pre-scored folds.

**\*HINT\***- We have chosen fabrics for our slipcovers that reduce the amount of wrinkling during storage, but some wrinkles are normal. Use may use a steamer to remove any wrinkles in the slipcover. Be careful not to steam any particular area on the slipcover to the point at which the corrugate parts under the slipcover become overly moist. Doing so could damage the corrugated part.

### **Step 1 - Create the 18" Base Cubes:**

- Open the 18" Tube (Part #0002) so it becomes square on the open ends.
- Place one Top/Bottom Cover (Part #0001) over one end of Part #0002.
- Turn the partially assembled cube over so that Part #0001 is on the floor.
- Diagonally place one 18" Support (Part #0003) into the cube with the notch toward the top.
- Diagonally place another 18" Support into the cube with the notch toward the bottom. The notches on each Support interlock.
- Place another top/Bottom Cover (Part #0001) over the open end of the cube.
- Repeat this process 7 more times for the sofa, 5 more times for the Loveseat, 3 more times for the Oversized Chair or 1 more time for the Ottoman.



- Assemble furniture in the general area in which the finished piece will be placed.
- Arrange the assembled cubes in the following patterns for the specific furniture piece. Be sure the slots on top of each row of cubes are aligned at the back of the furniture piece.
  - Sofa- 2 rows of 4 Cubes
  - Loveseat- 2 rows of 3 Cubes
  - Oversized Chair- 2 rows of 2 Cubes
  - Ottoman- 1 row of 2 Cubes

## **Step 2 - Create the Sofa/Chair Backs and Arm Rests:**

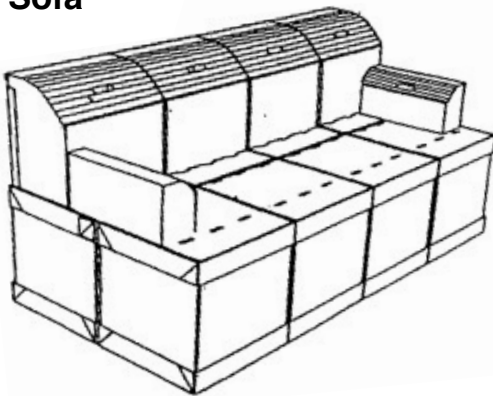
- Open the Sofa/Chair Back (Part #0009) and tuck the top flap into the front of the part.
- Erect the Arm Rests (Part #0010) in a similar manner.

*\*Hint\* - When assembling for the first time, pre-break all the scores across the top by rolling the top of each part into a tight cylinder.*

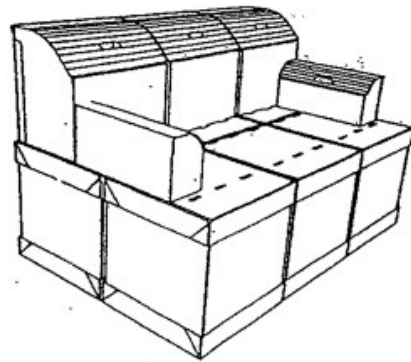
## **Step 3 - Assemble Sofa, Loveseat, Oversized Chair and/or Ottoman:**

- Insert the tabs on the Sofa/Chair Backs (Part #0009) into the 6 slots on top of each cube at the back of the furniture piece.
- Place the Arm Rests on right and left sides (Part #0010).
- Slide the appropriate slipcover over the assembled corrugated structure.

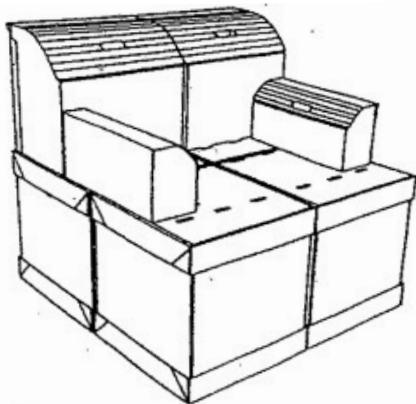
**Sofa**



**Loveseat**



**Oversized Chair**



**Ottoman**

