

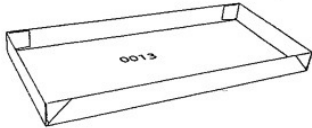
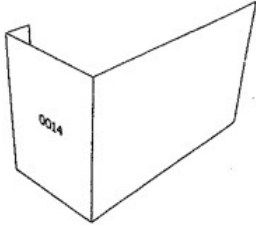
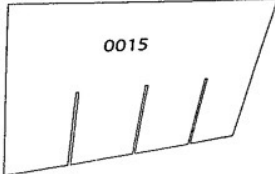
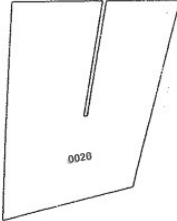
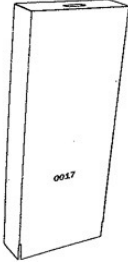
Congratulations on purchasing Dandy Pack goods! You've made a wise investment. Our products will save you money and time, while helping you gain an edge in the extremely competitive real estate market.

Warning - DandyPack goods are not intended for use as actual furniture. They are for decorative purposes only. It is important that you take appropriate steps to insure that there are adequate warnings on the product that state the product is for decorative purposes only and is not intended to be used as actual furniture. You must place the warning tent cards that accompany this product on or near the product so that the general public is made aware that the product is for decorative purposes only and is not intended to be used as actual furniture. Further, you must display the caution sign that accompanies this product in a prominent place within the property.

Product Assembly Instructions

These easy to follow instructions will demonstrate the assembly steps for the Dandy Pack **Twin Sized Beds**.

Parts List

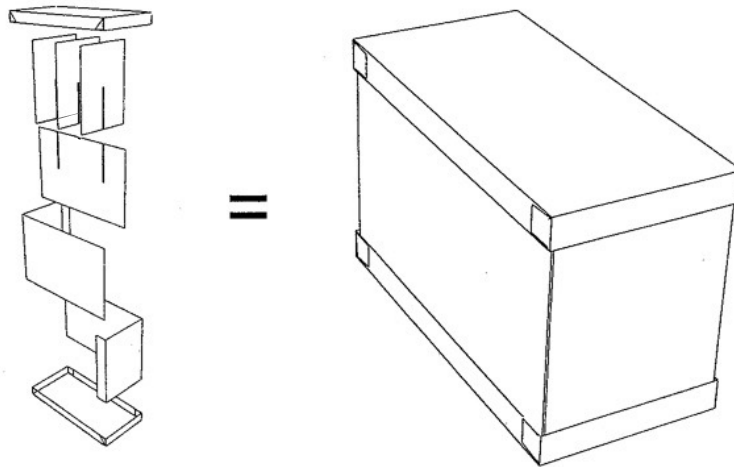
<p>Part #0013 Top/Bottom Bed Cover</p>  <p>Twin x 8</p>	<p>Part #0014 Bed Tube</p>  <p>Twin x 8</p>	<p>Part #0015 38.5" Bed Supports</p>  <p>Twin x 4</p>
<p>Part #0016 17" Bed Supports</p>  <p>Twin x 12</p>	<p>Part #0017 Headboard Section</p>  <p>Twin x 2</p>	<p>Part #0036 Twin Headboard Slipcover</p> <p>Twin x 1</p> <hr/> <p>Part #0038 Twin Bedskirt</p> <p>Twin x 1</p>

HINT- When assembling your Dandy Pack goods for the first time, be careful to bend the corrugated parts only on the pre-scored folds.

HINT- We have chosen fabrics for our slipcovers that reduce the amount of wrinkling during storage, but some wrinkles are normal. You may use a steamer to remove any wrinkles in the slipcover. Be careful not to steam any particular area on the slipcover to the point at which the corrugate parts under the slipcover become overly moist. Doing so could damage the corrugated part.

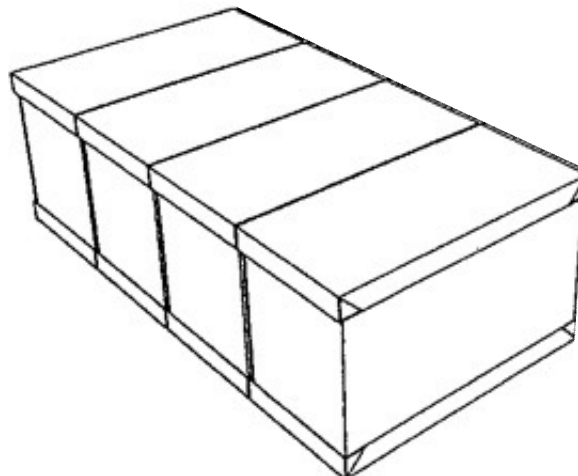
Step 1 - Create the Bed Base Cube:

- Open the Top/Bottom Bed Cover (Part #0013) and place it flat side down.
- Place one “L” shaped Bed Tube (Part #0014) into the corner of Part #0013.
- Place another Bed Tube (Part #0014) into the opposite corner of Part #0013.
- Place one 38.5” Bed Support (Part #0015) lengthwise into the open end of the Bed Cube with the three notches toward the top.
- Place three 17” Bed Supports (Part #0016) into the open end of the Bed Cube , interlocking their notches with the two notches in the 38.5” Bed Support (Part #0015).
- Place another Top/Bottom Bed Cover (Part #0013) over the open end of the Bed Cube.
- Repeat this process 3 more times for Twin.



Arrange the assembled bed cubes in the following patterns:

Twin Bed - 1 row of 4 Bed Cubes

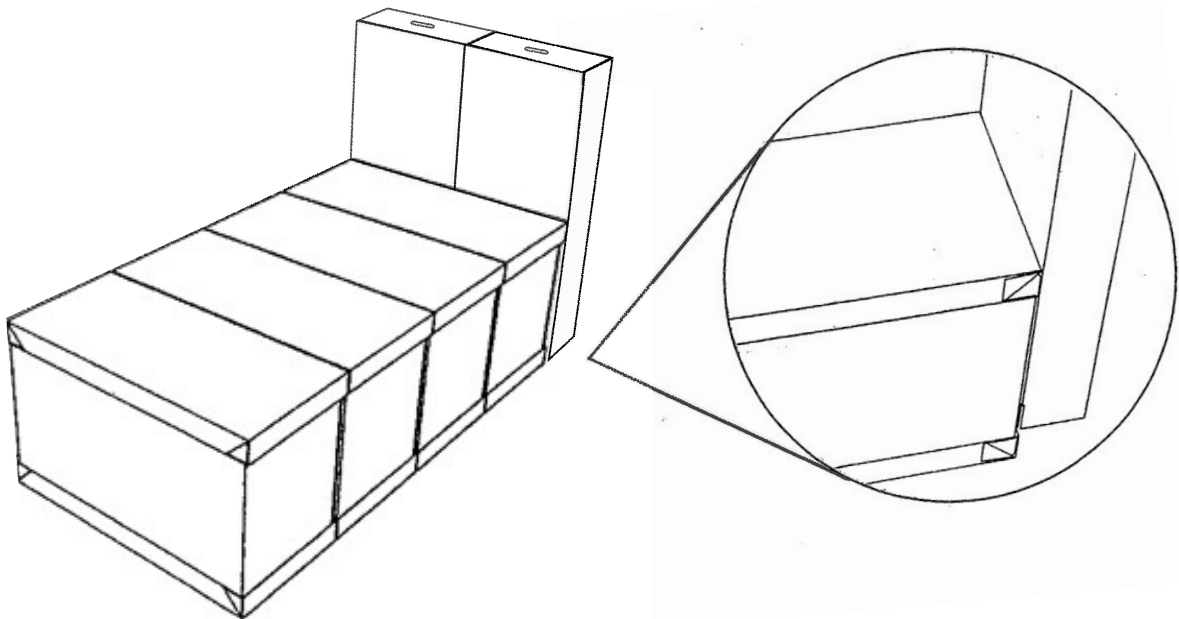


Step 2 - Create the Headboard:

- Erect the Headboard Section (Part #0017) by opening the tube.
- Fold the two small flaps inward.
- Fold the large flap inward, inserting the end of the large flap into the open end of the tube.
- Repeat this process 1 more times for the Twin Bed.

Step 3 - Assemble the Bed:

- Insert the tab at the bottom of the Headboard Section (Part #0017) between the Bed Tube (Part #0014) and the Top/Bottom Cover (Part #0013) of one of the previously assembled Bed Cubes.
- Repeat 1 more times for the Twin Bed.



- Slide the fitted Headboard Slipcover (Part #0036 or Part #0037) over the previously erected row of Headboard Sections, sliding the front of the slipcover between the Headboard Sections and the Bed Cubes.
- Place the Bed Skirt (Part #0038 or Part #0039) over the previously erected Bed Cubes.

****Hint****- If Bed Skirt is too long, make the bed a little wider by spacing the cubes 1" apart.